



Buick/GMC PIC Retrofit Assembly Instructions

BUICK PAGE HOLDER INSTALLATION

Tools Required:

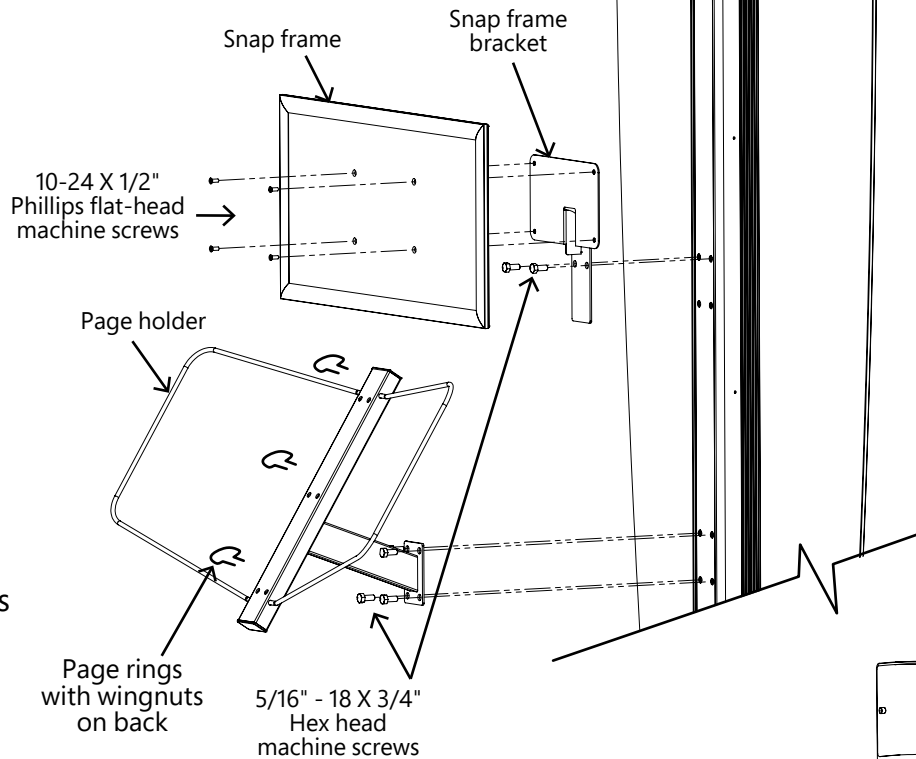
- Socket wrench
- 1/2" Socket
- Phillips screw driver

Parts list:

- (1) Page holder
- (1) Snap frame
- (1) Snap frame bracket

Hardware list:

- (6) 5/16" - 18 X 3/4" Hex head machine screws
- (4) 10-24 X 1/2" Phillips flat-head machine screws
- (3) Page rings
- (3) #10-24 wing nuts

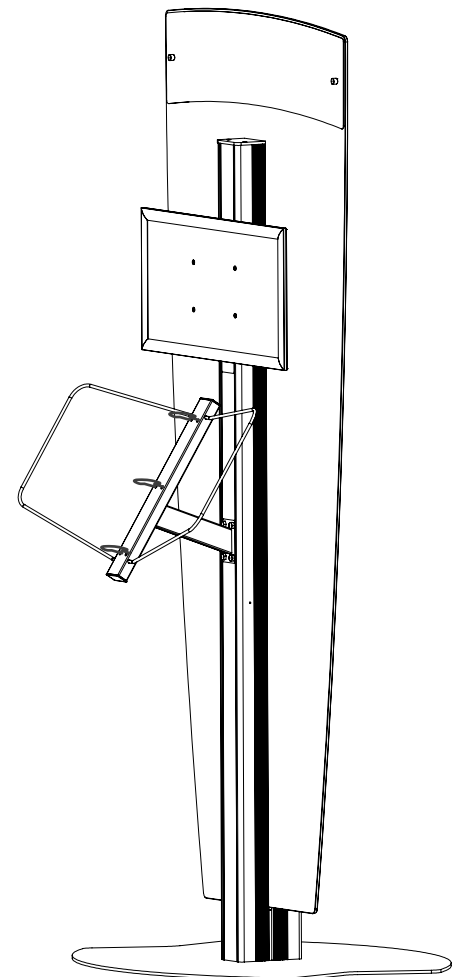


Steps:

1. Using a phillips screwdriver, remove the old page deck from display and discard.
2. Using the socket wrench and socket, install the snap frame bracket with (2) 5/16" X 3/4" hex head screws. Note the position of the bracket and that it bolts to the upper set of holes.
3. Using the socket wrench and socket, install the new page deck holder with (4) 5/16"-18 x 3/4" hex head screws.
4. Install the snap-frame with the (4) 10-24 x 1/2" flat head screws.
5. Install the new pages and poster according to instructions supplied.

NOTE!

The PIC pages and poster will arrive in a separate carton.



Call Program Headquarters at 1-800-766-5660 with any questions.

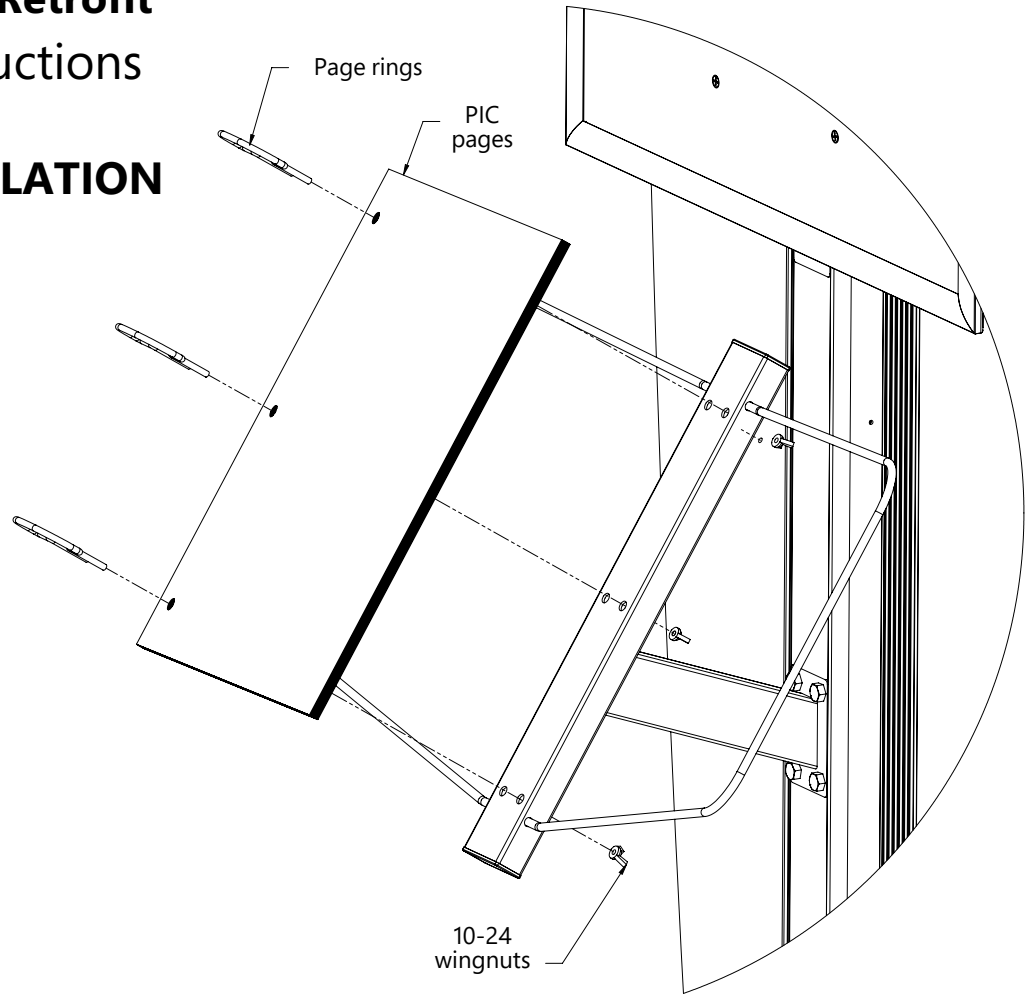


Buick/GMC PIC Retrofit Assembly Instructions

BUICK PIC PAGE INSTALLATION

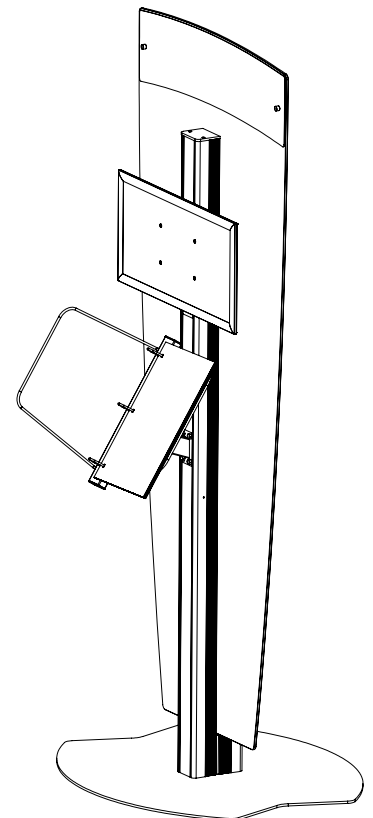
Parts list:

- (1) PIC set pages
- (1) Poster (24" x 12")



Steps:

1. Position pages over holes in the page deck holder.
2. Install page rings through pages and the bar.
3. Install wingnuts on back side of bar and hand tighten.
4. Insert poster by hinging frame sides open, and carefully reclosing the edges around the poster



Call Program Headquarters at 1-800-766-5660 with any questions.



CHEVROLET PIC Retrofit Assembly Instructions

CHEVROLET PAGE HOLDER INSTALLATION

Tools required:

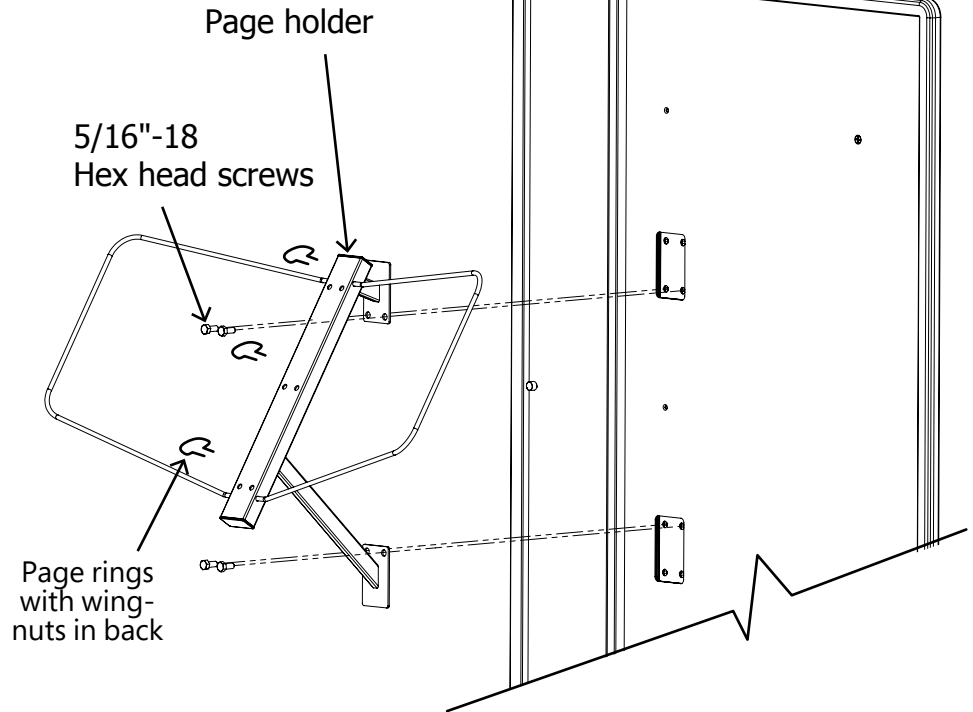
Socket wrench
1/2" Socket
Phillips screw driver

Parts list:

(1) Page holder

Hardware list:

(4) 5/16" - 18 X 3/4"
Hex head machine screws
(3) Page rings
(3) #10-24 wing nuts

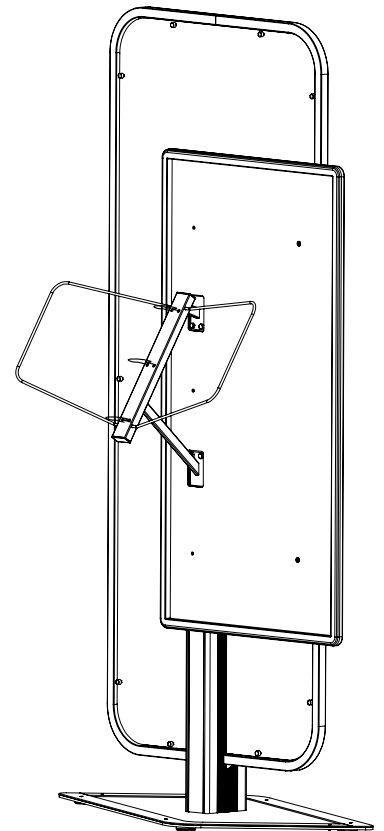


Steps:

1. Using phillips screwdriver, remove old page deck from display and discard.
2. Using socket wrench and socket, install new page holder with (4) 5/16"-18 x 3/4" hex head screws.
3. Install the new PIC pages according to instructions supplied.

NOTE!

The PIC pages will arrive in a separate carton.



Call Program Headquarters at 1-800-766-5660 with any questions.

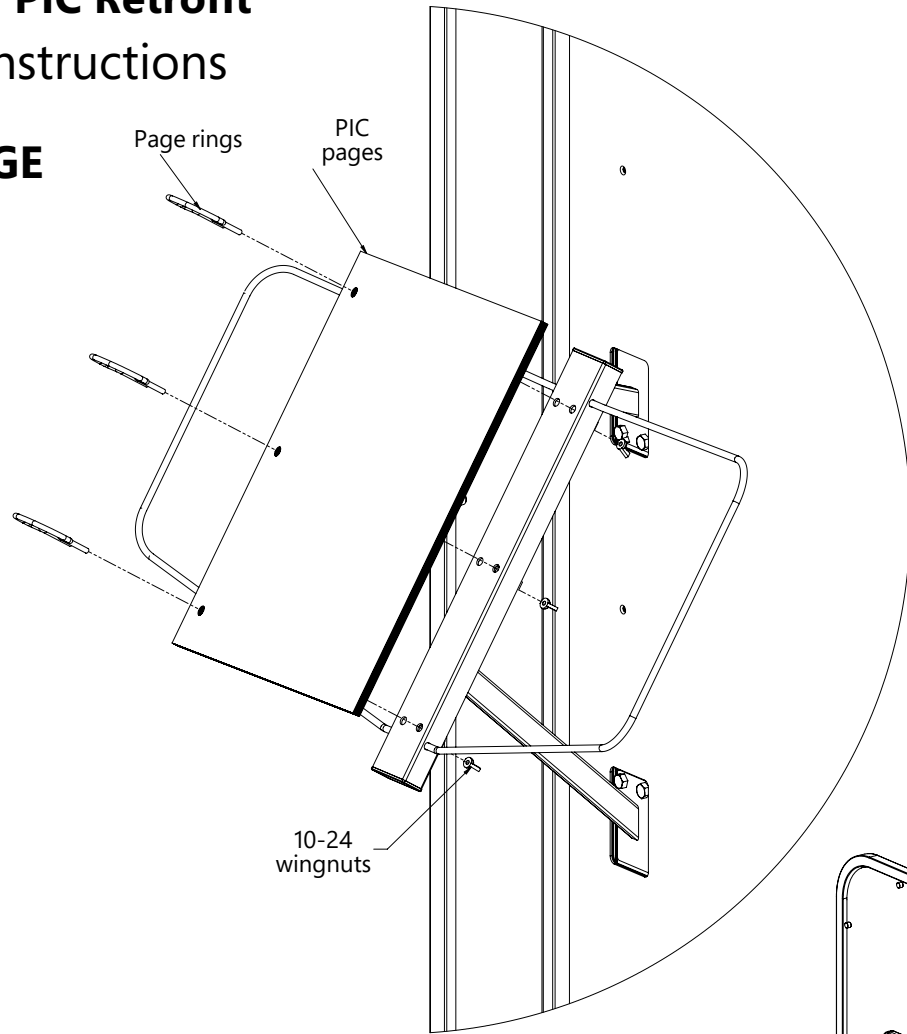


CHEVROLET PIC Retrofit Assembly Instructions

CHEVROLET PIC PAGE INSTALLATION

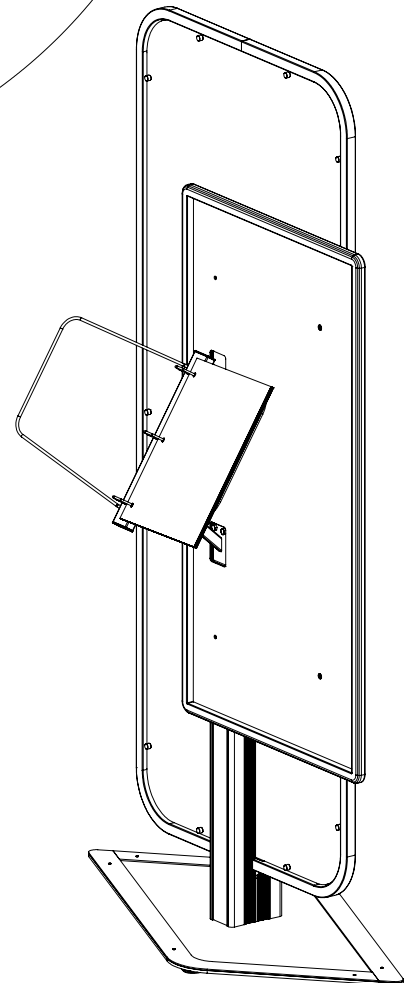
Parts list:

- (1) PIC set pages



Steps:

1. Position pages over holes in the page deck holder.
2. Install page rings through pages and the bar.
3. Install wingnuts on back side of bar and hand tighten.



Call Program Headquarters at 1-800-766-5660 with any questions.